

STORMRIDER HIGH SPEED HAND DRYER

Stainless Steel Construction

for maximum durability

One-Piece Cover

modern & sleek design, easy to clean



Blue Light Technology

allows users to maximize the dryers efficiency

Wide Drying Area

for an optimal 10-15 second dry time

Color Changing LED Indicator

indicates dryer status. Red = Idle; Green = On

MODEL: HD0960 | ULTRA SERIES




MODEL NUMBER & COLOR

HD0960-09, HD0961-09	Satin Stainless
HD0960-17, HD0961-17	White
HD0960-27, HD0961-27	Matte Black

COLOR OPTIONS

 (09) BRUSHED STAINLESS

 (17) WHITE

 (27) MATTE BLACK

TECHNICAL SPECIFICATIONS

Material: Steel

Motor Type: Brush, Dual Ball Bearings

Thermal Protection:

Motor Shuts Off at 275°F (135°C)

Heater Shuts Off at 285°F (85°C)

Operating Airflow: 44.2-63.6 CFM, Adjustable

Air Output Temperature:

131°F (55°C)

Ambient Temperature 77°F (25°C)

Sound Level: 68.2dB

Isolation: Class 1

Drip Proof: IP31

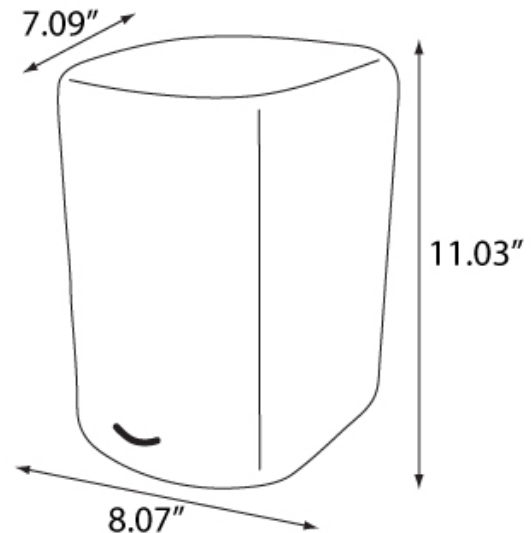
Watts: 350 - 700W, Adjustable

RPM: 12,000 - 18,000, Adjustable

Voltage & Amps:

HD0960-09	110/120 Volts	1.19-1.4 Amps
HD0961-09	220/240 Volts	1.19-1.4 Amps
HD0960-17	110/120 Volts	1.19-1.4 Amps
HD0961-17	220/240 Volts	1.19-1.4 Amps
HD0960-27	110/120 Volts	1.19-1.4 Amps
HD0961-27	220/240 Volts	1.19-1.4 Amps

Mounting: Surface



MOUNTING HEIGHTS

from bottom of dryer to the finished floor

Men 50"

Women 47"

Children (4-7) 35"

Children (8-10) 39"

Children (11-13) 43"

Children (14-16) 47"

Disabled 40"

DIMENSIONS & WEIGHT

HD0960 & HD0961

Width: 8.07"

Height: 11.03"

Depth: 7.09"

Weight: 12.1 lbs

Phone: 920.884.8698

Toll-Free: 800.558.8678

Fax: 920.884.8699

Email: info@palmerfixture.com



Palmer Fixture

PO BOX 10887

Green Bay, WI 54307

Website: www.palmerfixture.com

V11.2019