

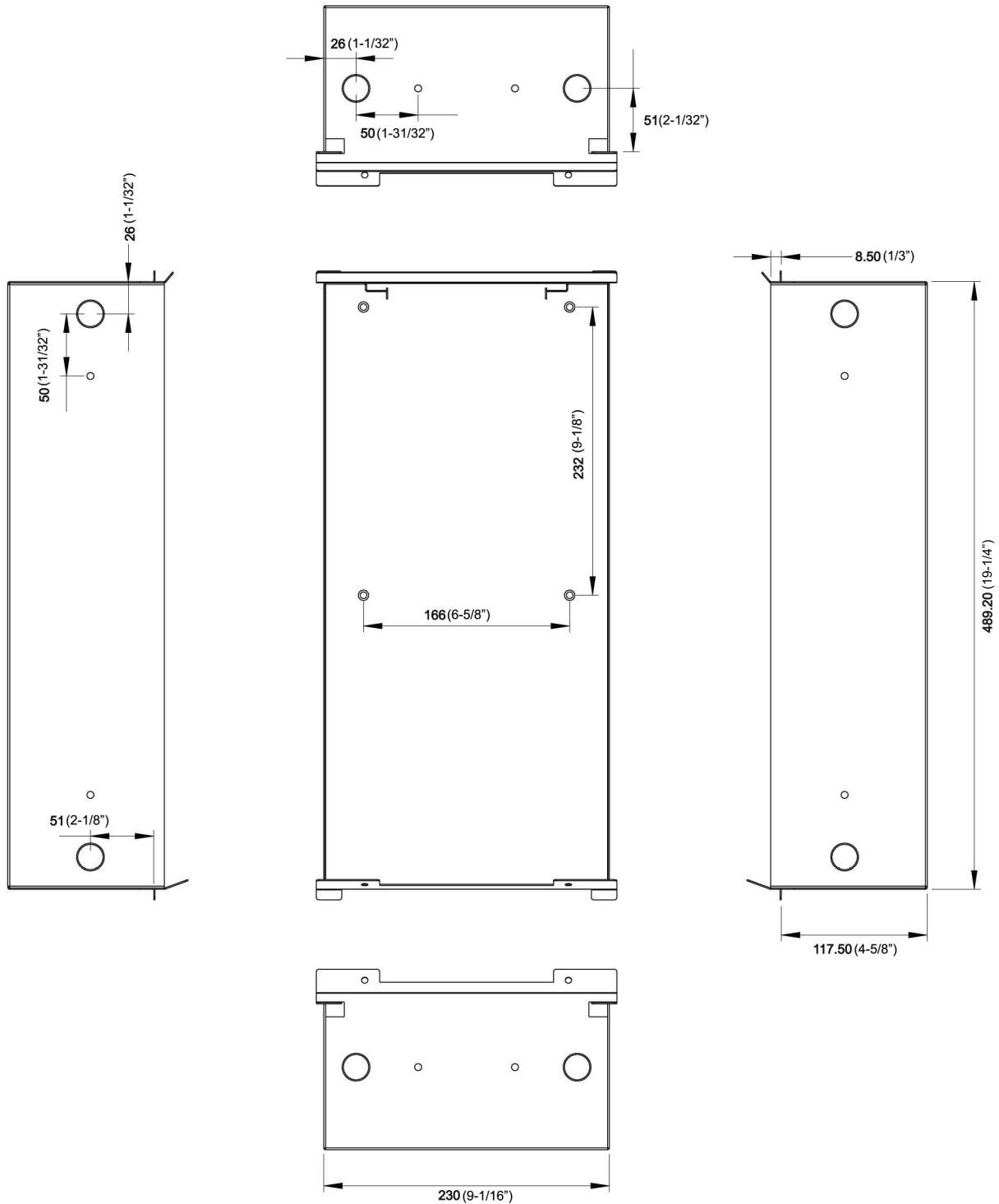
Automatic  
**Hand dryer**



**Mounting Instruction**  
**High Speed Hand Dryer Semi-Recessed Type**

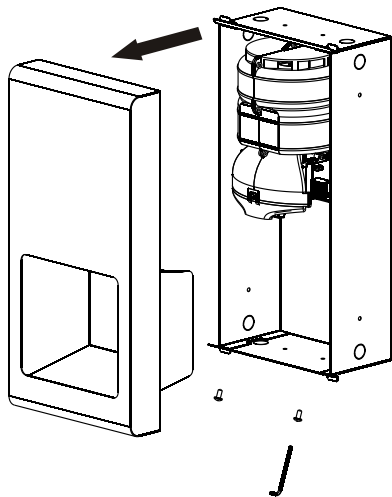
**Diagram:** mm

**Rough wall opening: 235 x 495 x 123 mm**  
(9-1/4" x 19-1/2" x 4-7/8")

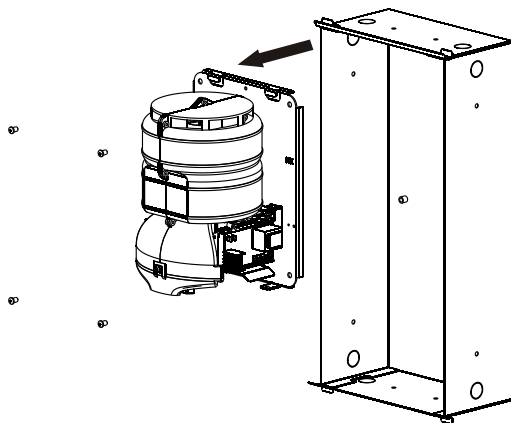


# Installation:

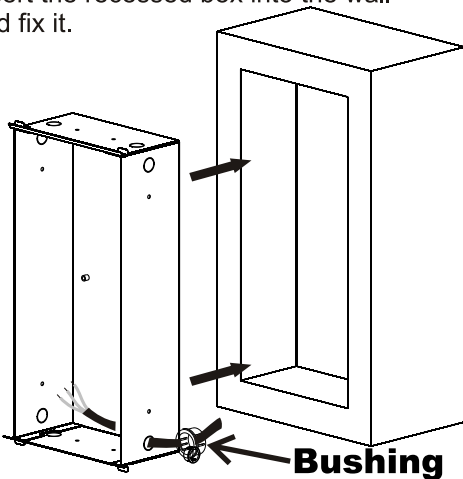
1. Remove the front cover from the recessed box.



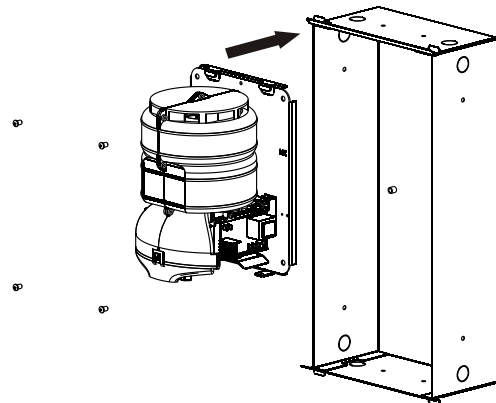
2. Remove the main unit from the recessed box.



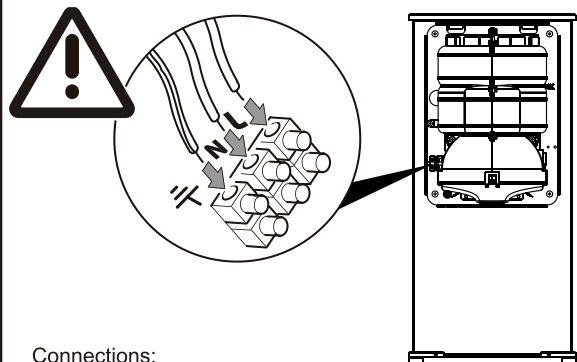
3. Insert the bushing into the side hole of the recessed box. Insert the recessed box into the wall and fix it.



4. Attach the main unit back to the recessed box.



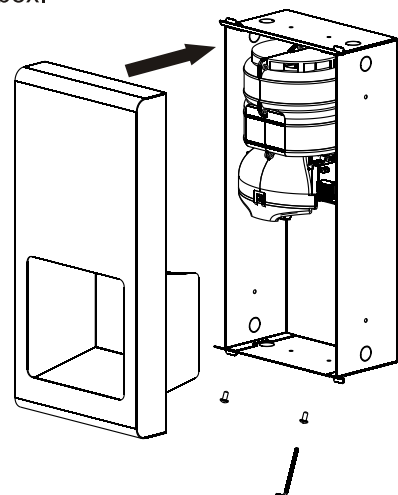
5. The wire connections are as follows :



Connections:

- A. Connect the live wire (colored red or brown) to the terminal block marked "L".
- B. Connect the neutral wire (colored black or blue) to the terminal block marked "N".
- C. Connect the ground wire (colored green and yellow) to the green screw marked "⊕".

6. Attach the front plate back to the recessed box.



## General safety information:

### ⚠ WARNING

*This product is intended for installation by a qualified service person. Use AWG NO. 14 (1.6 mm<sup>2</sup>) solid conductor for wiring.*

### ⚠ DANGER

*Failure to properly ground unit could result in severe electrical shock and/or death.*

### ⚠ WARNING

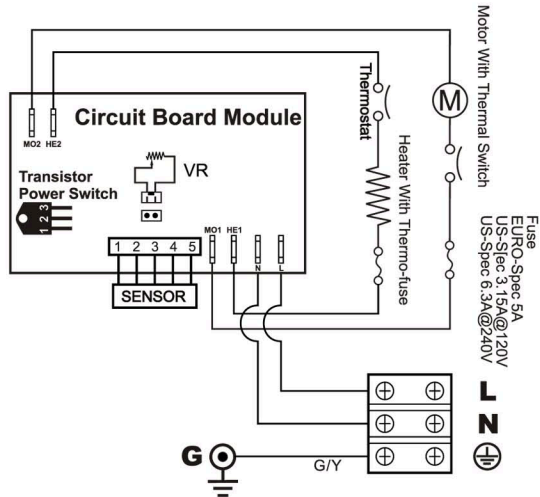
*Disconnect power at the service breaker before installing or servicing.*

### ⚠ WARNING

*All units must be supplied with a 3-wire service. The ground wire must be connected to the dryer's backplate.*

**-- NOTE: Do not install dryer over washbasin --**

## Circuit Diagram



## TECHNICAL SPECIFICATIONS

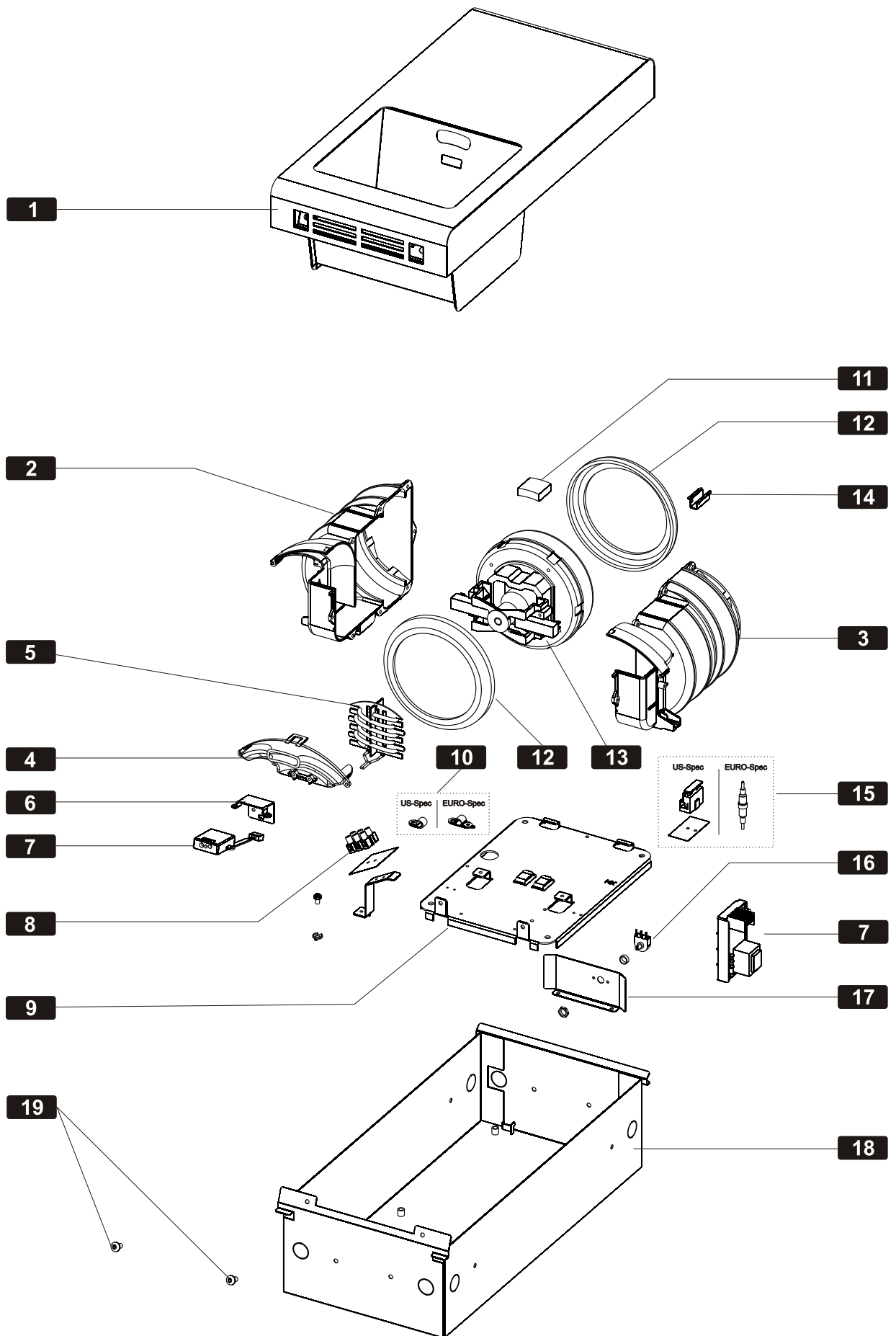
ITEM CATEGORY	PERFORMANCE DATA
Operating Voltage	110-120Vac, 50/60 Hz, 1.34-1.6 kW - 220-240Vac, 50/60 Hz, 1.34-1.6 kW -
Warm Air Speed Output	168-224 mi/hr (75-100 m/s), adjustable
Air Output Temperature	113°F (45°C) – Ambient Temp. 68°F (20°C)
Dryer Shall Deliver	51-68 CFM (87-116 m <sup>3</sup> /h)
Motor Type	15/16HP, 350-700W, 12000-18000 R.R.M., Adjustable; Brush Type, Dual Ball Bearings
Motor Thermal Protection	Auto Resetting Thermostat turns unit off at, 221°F (105°C)
Heater Element	450-900W, adjustable
Heater Thermal Protection	Auto Resetting Thermostat turns unit off at, 185°F (85°C)
Drying Time	Less than 15 seconds
Circuit Operation	Infrared Automatic, self adjusting
Sensor Range	51 mm to 330 mm [2" to 13"], adjustable; standard 18 cm±2 cm[7"]
Timing Protection	60 seconds auto shut off
Drip proof	IPX1
Isolation	CLASS 1
Net Weight	20.7 lbs (9.4 kg)
Shipping Weight	24.7 lbs (11.2 kg)
Unit Size	230 mm x 489.20 mm x 117.5 mm [9-1/16" W x 19-3/4" H x 4-5/8" D]

## Diagnosics and Remedies

Symptom	Corrective Actions for Initial Installation Failures
If the dryer will not run	First ensure that the breaker supplying the dryer is operational. If it is, disconnect the power and remove the dryer cover. Taking suitable precautions to avoid shock hazard, reconnect the power and check for Voltage at the terminal block. Verify that connections are made correctly. Adjust the VR to make sure it is not set too low.
The dryer cycles by itself or runs constantly	Ensure that there is no obstruction on or in front of the IR sensor. Clean any dirt or debris off the sensor lens. If problem persists, replace sensor.
The dryer makes a loud noise and does not run for a complete cycle	Ensure that the supply Voltage is correct. Dryer will make a loud humming noise if the input Voltage is too high. Verify Voltage requirement on unit rating label and correct supply as required. If CBM has been damaged, replace CBM, IR sensor module and VR component and cable.
The dryer runs but air stream is low pressure and/or low velocity	Ensure that the supply Voltage is correct. Dryer will run weakly if the input Voltage is too low. Verify Voltage requirement on unit rating label and correct supply as required.

Symptom	Corrective Actions for In-Service Failures
If the dryer will not run	First ensure that the breaker supplying the dryer is operational. If it is, disconnect the power and remove the dryer cover. Replace the CBM and IR sensor module. Test the VR for open circuit (see Technical Specifications for value). Replace VR if $\Omega = \infty$ . Taking suitable precautions to avoid shock hazard, reconnect the power and check for Voltage at the terminal block.
The IR sensor only "sees" close range objects	Ensure that there is no obstruction on or in front of the IR sensor. Clean any dirt or debris off the sensor lens. If problem persists, disconnect the power and remove the dryer cover. Taking suitable precautions to avoid shock hazard, reconnect the power and try carefully adjusting the sensitivity control (yellow shaft in blue box on CBM) to increase the sensing range. If problem persists, replace sensor.
The heater gets hot but no air stream is produced	Disconnect the power. Remove the dryer cover and disassemble the blower-motor/fan housing. Replace the fan motor.
The dryer only blows cold air during a full cycle	Disconnect the power. Remove the dryer cover and disassemble the blower-motor/fan housing. Test the thermostat for open circuit. Check the heater element for signs of burning or breakage. Damaged element must be replaced.
The air stream is low pressure and velocity	Check the output nozzle for obstructions. If none are present, disconnect the power. Remove the dryer cover. Remove any dust/lint buildup from intake vent slots. Disassemble the blower-motor/fan housing. Check the motor brushes for worn condition ( $\leq 25/64"$ [10 mm] graphite remains) and replace them, if necessary.

## Assembly Diagram



## Repair parts list

Key	Part #	Description	Qty
1	C39-0030	Cover	1
2	A19-0006	blower housing (LH)	1
3	A19-0007	blower housing (RH)	1
4	A19-0009	Air outlet	1
5		Heater assembly	1
	T29-0016	900W@120Vac,16Ω	
	T29-0017	900W@240Vac,64Ω	
6	C19-0013	Sensor module bracket	1
7		Circuit Board Module (CBM)	1
		+ Sensor module	
	T39-0001	CBM@120Vac	
	T39-0002	CBM@240Vac	
8	F01-005	Terminal block	1
9	C19-0034	Base plate	1
10		Nylon cable clamp	1
	A16-0004	EURO-Spec	
	A01-001	US-Spec	
11	G39-0006	Shock absorbed	1
12	G19-0002	Motor rubber (2 reqd.)	2
13		Motor	1
	E19-0001	700W@120Vac	
	E19-0002	700W@240Vac	
14	C19-0042	Housing fixed plate	1
15		Fuse	1
	E69-0006	5.0A@220-240Vac (EURO-Spec)	
	E69-0001	6.3A@120Vac (US-Spec)	
	E69-0002	3.15A@240Vac (US-Spec)	
16		Variable resistance (VR)	1
	F59-0002	50KΩ@240Vac	
	F59-0001	100KΩ@240Vac	
17	C19-0018	Variable resistance bracket	1
18	C19-0040	Recessed box	1
19	D19-0005	Security hex screw	2